

# CAPITÓLIO

MODULE TYPE		CSST170
<b>Thyristor Modules</b>		$I_{TRMS} = 2x 300 A$ $I_{TAVM} = 2x 190 A$ $V_{RRM} = 800-2300 V$
VOLTAGE RATINGS MAXIMUM	LIMITS UNITS	
$V_{DRM}$ Repetitive peak off-state voltage,	1600-2200 V	
$V_{DSM}$ Non-repetitive peak off-state voltage,	1600-2200 V	
$V_{RRM}$ Repetitive peak reverse voltage,	1600-2200 V	
$V_{RSM}$ Non-repetitive peak reverse voltage	1700-2300V	

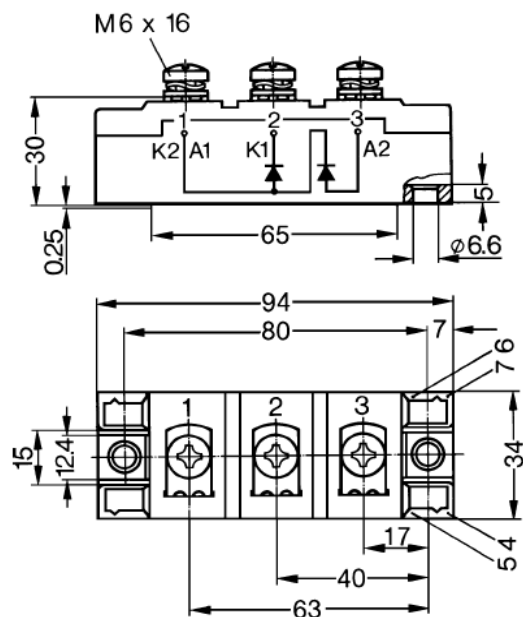
## OTHER RATINGS MAXIMUM LIMITS UNITS

Symbol	Test Conditions	Maximum	Ratings
$I_{FRMS}$	$T_{VJ} = T_{VJM}$	300	A
$I_{FAVM}$	$T_C = 100^{\circ}C$ ; 180° sine	190	A
$I_{FSM}$	$T_{VJ} = 45^{\circ}C$ ; t = 10 ms (50 Hz), sine	6000	A
$I_{FSM}$	$V_R = 0$ t = 8.3 ms (60 Hz), sine	6400	A
$I_{FSM}$	$T_{VJ} = T_{VJM}$ t = 10 ms (50 Hz), sine	5250	A
$I_{FSM}$	$V_R = 0$ t = 8.3 ms (60 Hz), sine	5600	A
$\int i_2 dt$	$T_{VJ} = 45^{\circ}C$ t = 10 ms (50 Hz), sine	180 000	A <sup>2</sup> s
$\int i_2 dt$	$V_R = 0$ t = 8.3 ms (60 Hz), sine	170 000	A <sup>2</sup> s
$\int i_2 dt$	$T_{VJ} = T_{VJM}$ t = 10 ms (50 Hz), sine	137 000	A <sup>2</sup> s
$\int i_2 dt$	$V_R = 0$ t = 8.3 ms (60 Hz), sine	128 000	A <sup>2</sup> s
$(di/dt)_{cr}$	$T_{VJ} = T_{VJM}$ repetitive, $I_T = 500 A$ f = 50 Hz, $t_P = 200 \mu s$ $V_D = 2/3 V_{DRM}$	150 A/ $\mu s$	A/ $\mu s$
	$I_G = 0.45 A$ non repetitive, $I_T = I_{TAVM}$ $di_G/dt = 0.45 A/\mu s$	500 A/ $\mu s$	A/ $\mu s$
$(dv/dt)_{cr}$	$T_{VJ} = T_{VJM}$ ; $V_{DR} = 2/3 V_{DRM}$ $R_{GK} = \infty$ ; method 1	1000	V/ $\mu s$
$P_{GM}$	$T_{VJ} = T_{VJM}$ $t_P = 30 \mu s$ $I_T = I_{TAVM}$ $t_P = 500 \mu s$	120	W
		60	W
$P_{GAV}$		8	W
$V_{RGM}$		10	V
$T_{VJ}$	repetitive, $I_T = 250 A$	-40...+150	°C
$T_{VJM}$		125	°C
$T_{stg}$		-40...+150	°C
$V_{ISOL}$	50/60 Hz, RMS t = 1 min	3000	V~
$V_{ISOL}$	$I_{ISOL} = 1 mA$ t = 1 s	3600	V~
$M_d$	Mounting torque (M6)	2.25-2.75/20-25	Nm/lb.in.
$M_d$	Terminal connection torque (M6)	2.25-2.75/20-25	Nm/lb.in.
Weight	Typical including screws	125	g

**CAPITÓLIO Comércio Representação Importação e Exportação Ltda.**  
 ☎ Al. dos Pamaris, 188 - Campo Belo - ☎ 04086.020 - S. Paulo - 📞 (011) 5090-4500 📠 (011)5543.0736  
 CGC. : 00.023.280 / 0001-53 I.E. : 114.102.283.115 E.mail : [capitolio@capitoliosemic.com.br](mailto:capitolio@capitoliosemic.com.br)  
 Visite nosso SITE : [www.capitoliosemic.com.br](http://www.capitoliosemic.com.br)

# CAPITÓLIO

Dimensions in mm (1 mm = 0.0394")



**CAPITÓLIO Comércio Representação Importação e Exportação Ltda.**  
Al. dos Pamaris, 188 - Campo Belo - ☎04086.020 - S. Paulo - 📞(011) 5090-4500 📠(011)5543.0736  
CGC. : 00.023.280 / 0001-53 I.E. : 114.102.283.115 E.mail : [capitolio@capitoliosemic.com.br](mailto:capitolio@capitoliosemic.com.br)  
Visite nosso SITE : [www.capitoliosemic.com.br](http://www.capitoliosemic.com.br)